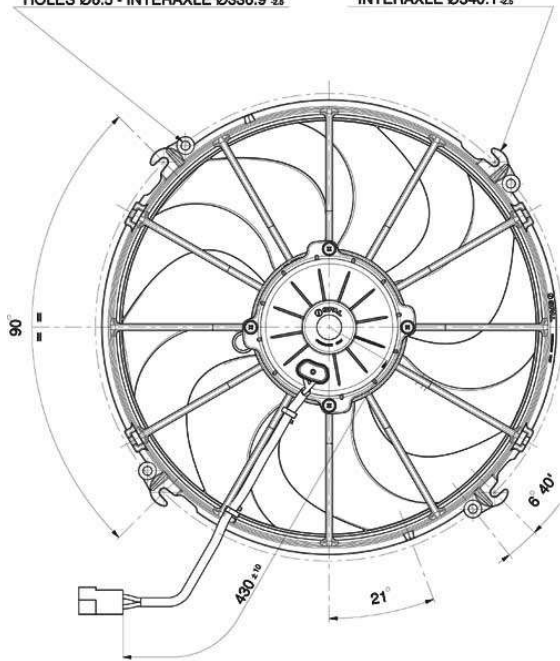


- N°4 BORCHIE - ALTEZZA H = 7.5  
 FORI Ø6.5 - INTERASSE Ø336.9  $\pm 0.05$   
 - N°4 BOSSES - HEIGHT H = 7.5  
 HOLES Ø6.5 - INTERAXLE Ø336.9  $\pm 0.05$

- N°4 GANCI PER PERNI Ø6  
 INTERASSE Ø340.1  $\pm 0.05$   
 - N°4 HOOKS Ø6  
 INTERAXLE Ø340.1  $\pm 0.05$



SEDE PER ANELLO IN GOMMA  
 RUBBER RING HOUSING

